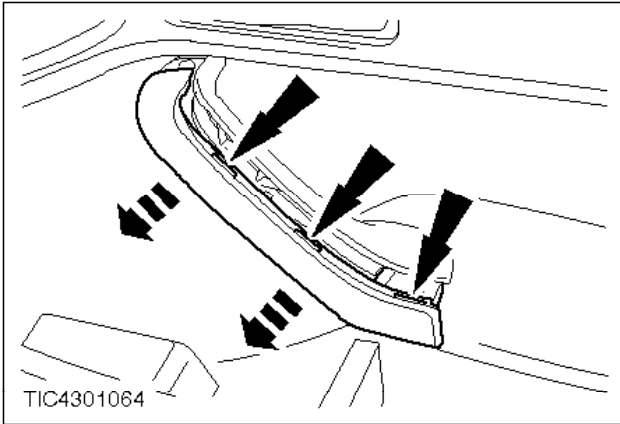


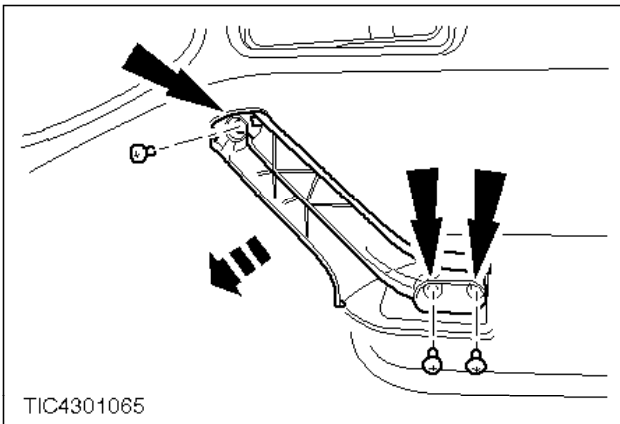
Trim Panel - Front Door (Up To '95½ MY) - Remove And Install (43 705 0)

Remove

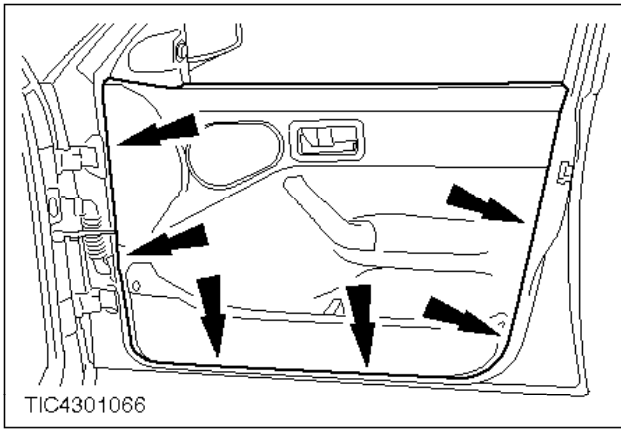
1. Remove the retaining screw and slide the surround from the remote handle.



2. Carefully prise off the door pull handle trim (integral plastic clips).



3. Remove the door pull handle (three screws).



- ⌚ 4. Remove the door trim panel (six screws).

Install

5. Refit the components in reverse order.
-