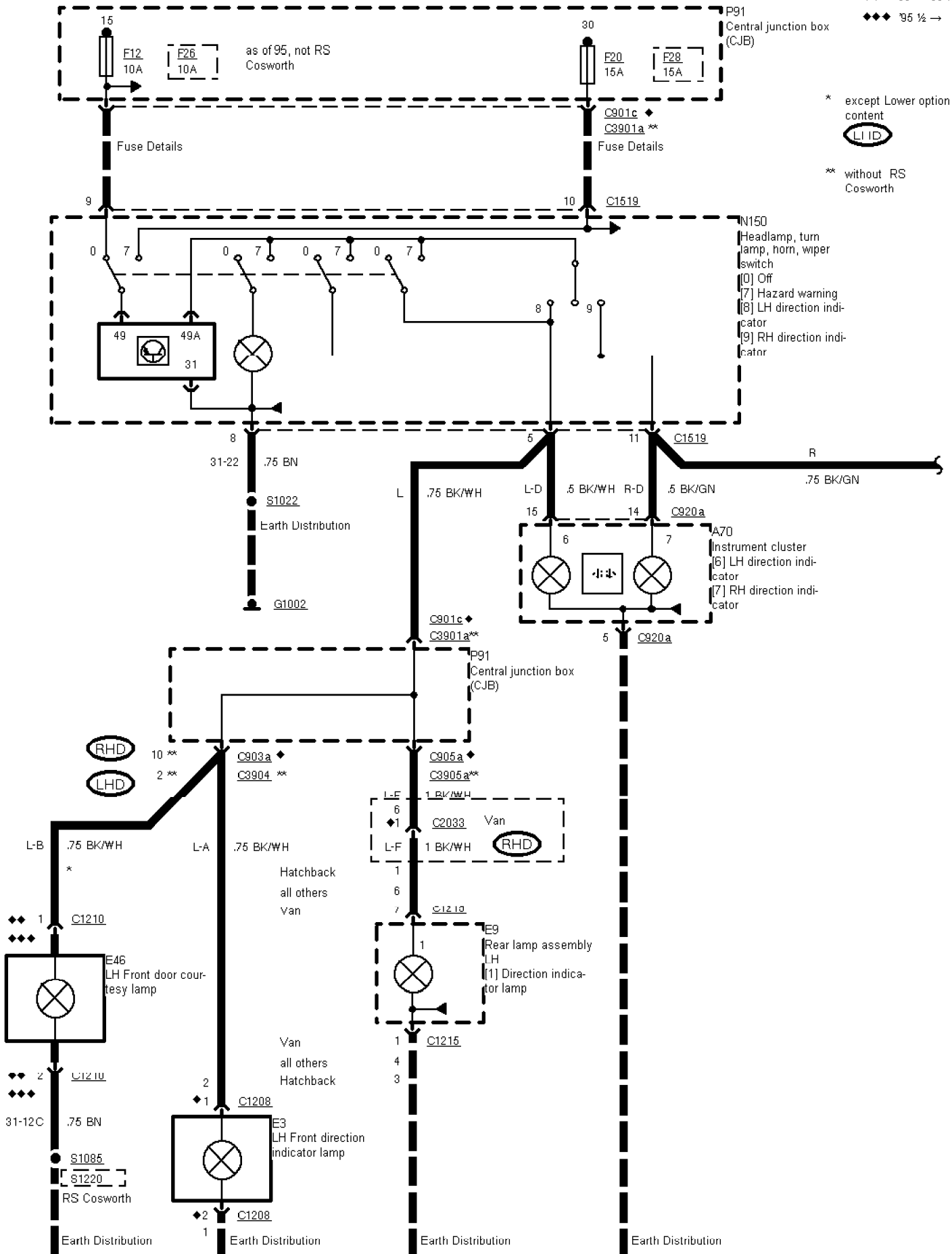


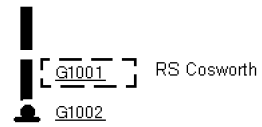
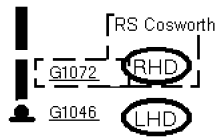
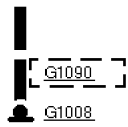
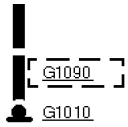
- ◆ → 95
- ◆◆ 95 → 95 1/2
- ◆◆◆ 95 1/2 →

* except Lower option content

(LH ID)

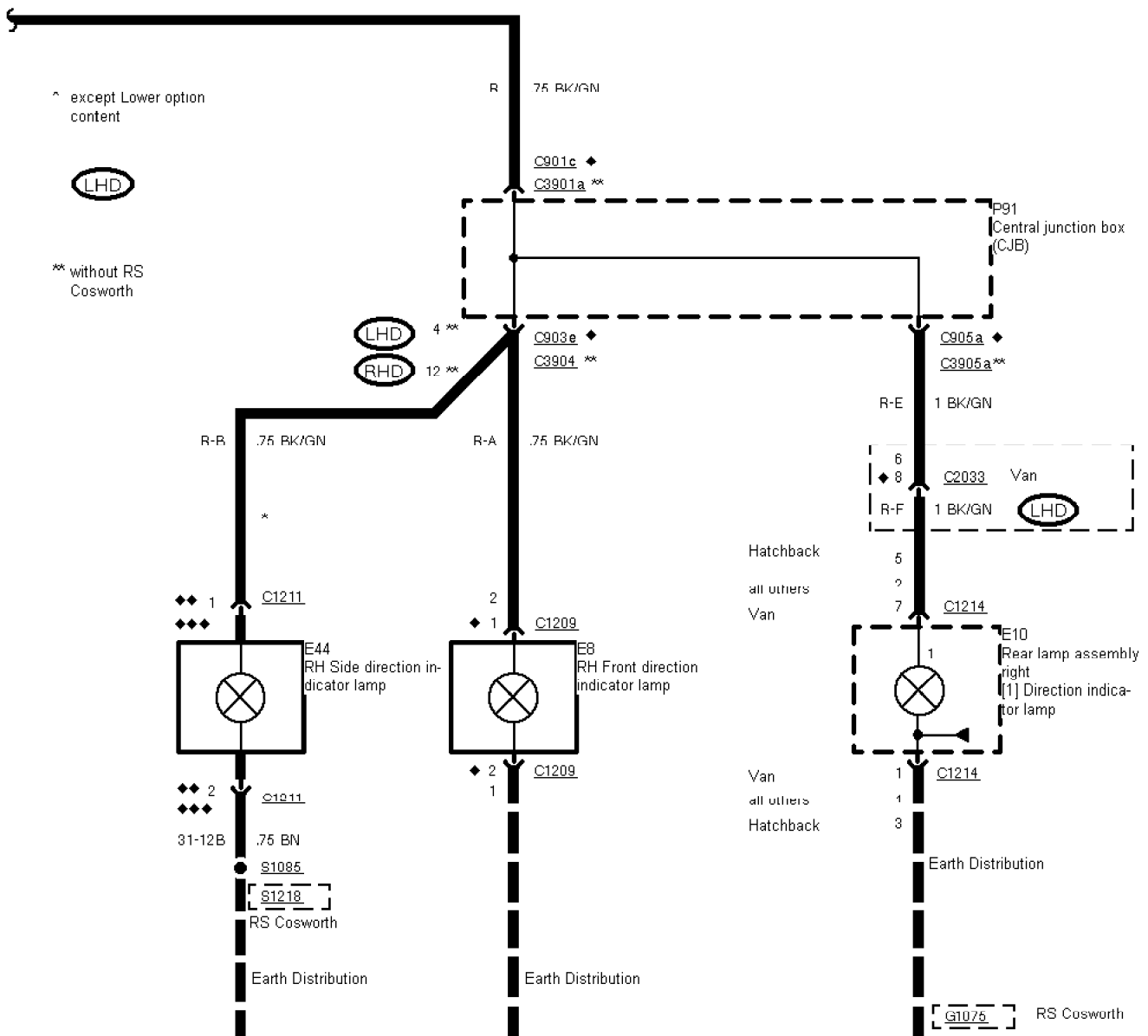
** without RS Cosworth

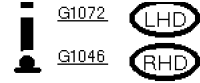
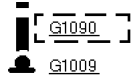
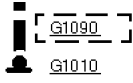




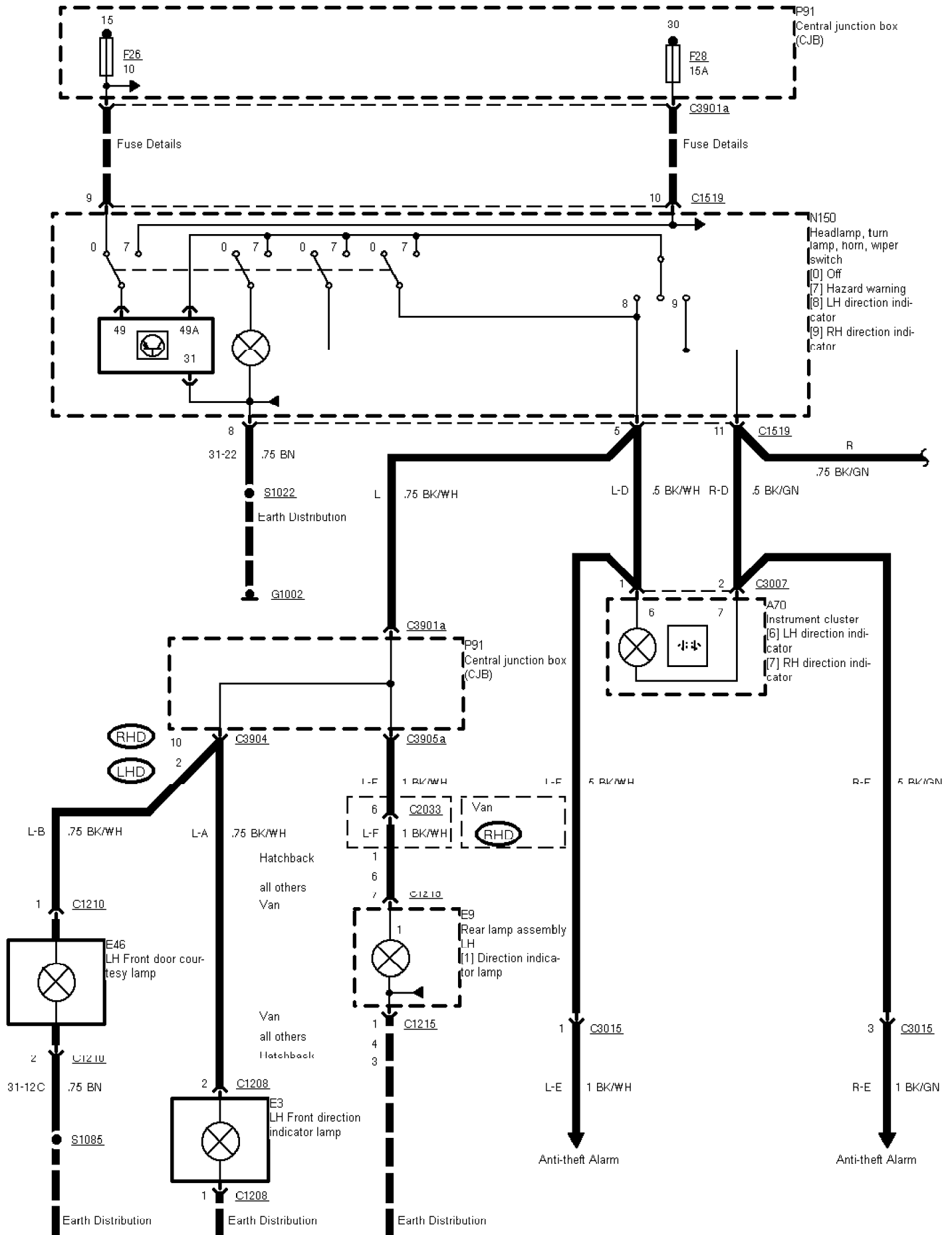
32-08-002 , Signal and Hazard Indicators , Before 95 1/2

- ◆ → '95
- ◆◆ 95 → '95 ½
- ◆◆◆ '95 ½ →





32-08-003 , Signal and Hazard Indicators , As of 95 1/2 without RS Cosworth





G1010



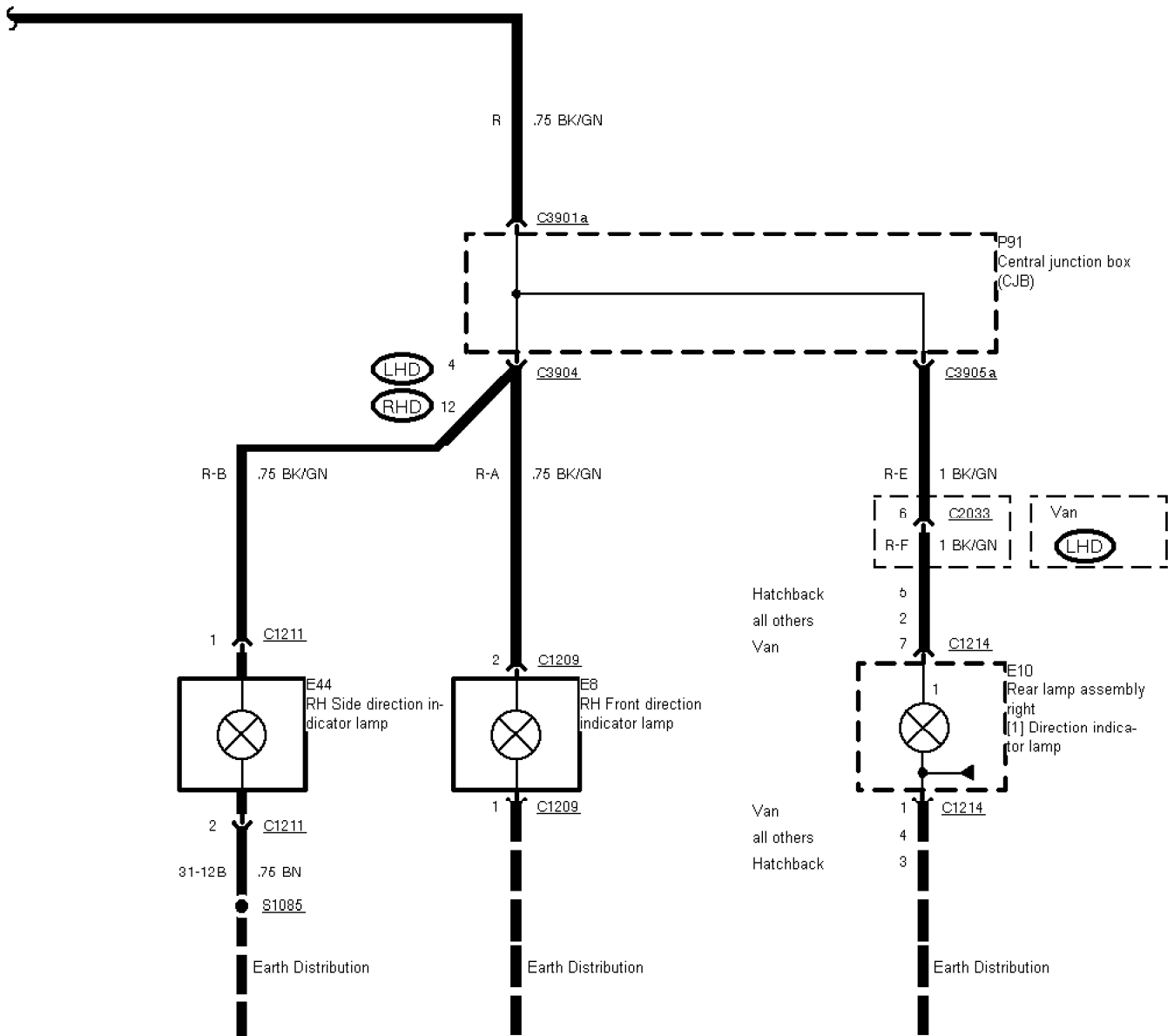
G1008



G1046

LHD

32-08-004 , Signal and Hazard Indicators , As of 95 1/2 without RS Cosworth



! G1010

! G1009

! G1072 (LHD)
! G1046 (RHD)
